

# NIAGARA MODEL 10000 SERIES HEAVY DUTY INDUSTRIAL GRADE THERMAL POWER WASHERS

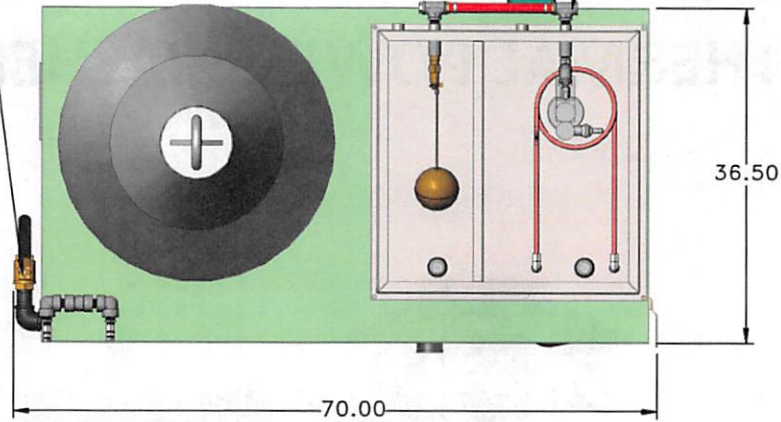


2135-A Hills Ave NW • Atlanta, GA 30318 • Ph: (800) 635-8342 • Fax: (404) 350-2614  
[www.niagaranationalcorp.com](http://www.niagaranationalcorp.com)

# MODEL 10000 THERMAL POWER WASHER

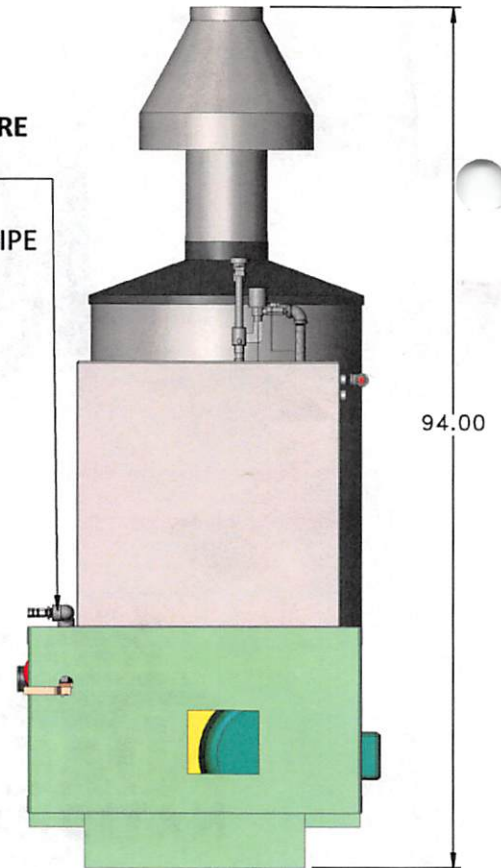
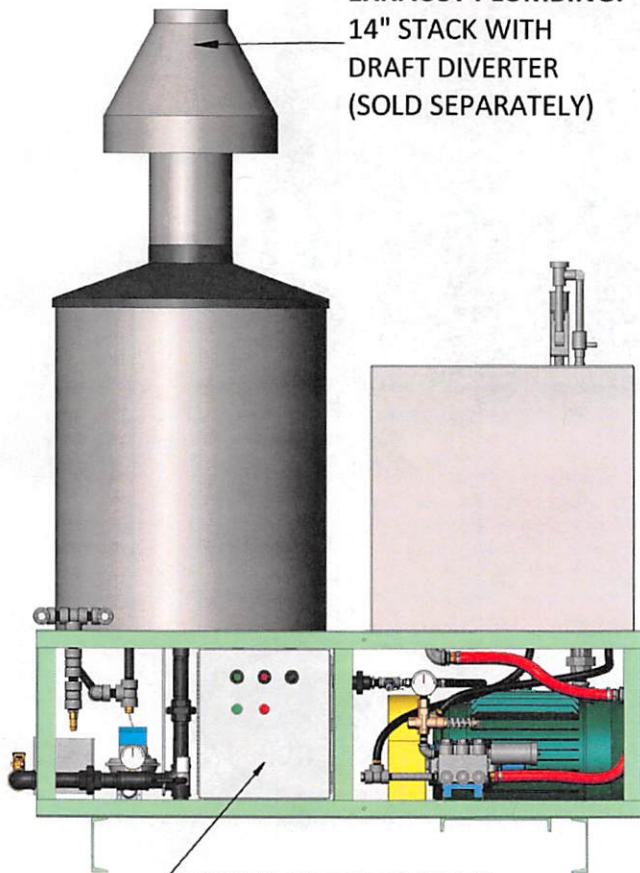
**GAS REQUIREMENTS:**  
880,000BTU @  
4" W.C. (NAT. GAS)  
11" W.C. (LP)

**WATER REQUIREMENTS:**  
CITY WATER SUPPLY  
MIN. 40PSI @ 5GPM  
3/4" INLET ON WASHER



**EXHAUST PLUMBING:**  
14" STACK WITH  
DRAFT DIVERTER  
(SOLD SEPARATELY)

**HIGH PRESSURE  
PLUMBING:**  
3/4" SCH. 80  
BLACK IRON PIPE

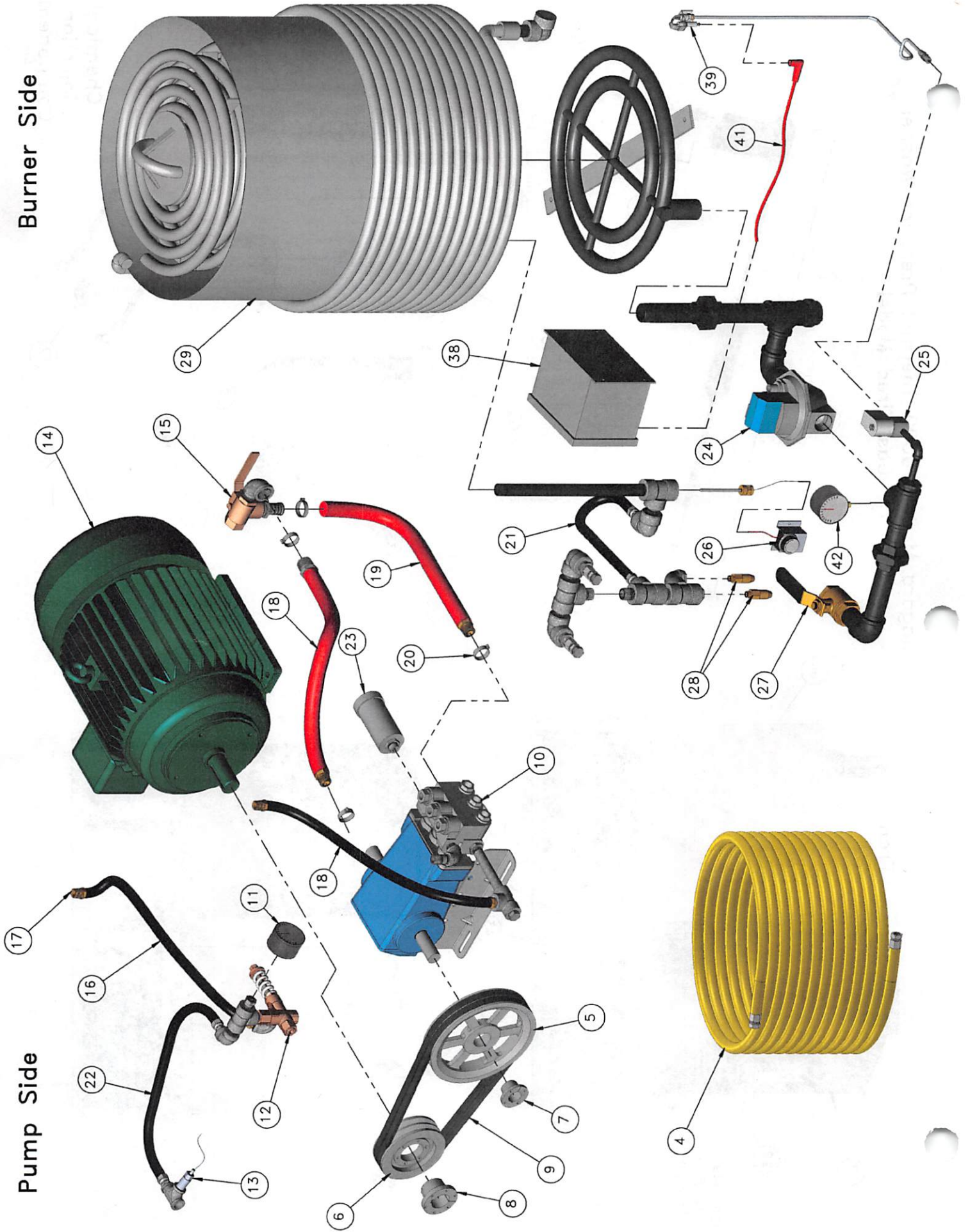


**POWER REQUIREMENTS:**  
60A @208-230V or 30A @ 480V  
SERVICE DISCONNECT REQUIRED





Burner Side



# Niagara Model 10000 Thermal Pressure Washer Gas Fired Model

